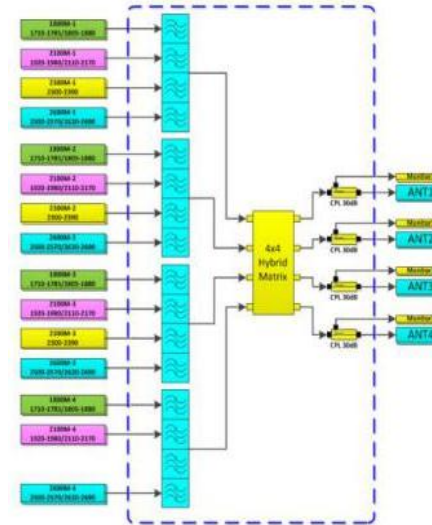


Type No.		96.00072	
Electrical			
Path		Downlink	Uplink
Services and Frequency Bands	1800(1)	1710-1785	1805-1880
	1800(2)	1710-1785	1805-1880
	1800(3)	1710-1785	1805-1880
	1800(4)	1710-1785	1805-1880
	2100(1)	1920-1980	2110-2170
	2100(2)	1920-1980	2110-2170
	2100(3)	1920-1980	2110-2170
	2100(4)	1920-1980	2110-2170
	2300(1)	2300-2390	2300-2390
	2300(2)	2300-2390	2300-2390
	2300(3)	2300-2390	2300-2390
	2600(1)	2500-2570	2620-2690
	2600(2)	2500-2570	2620-2690
	2600(3)	2500-2570	2620-2690
	2600(4)	2500-2570	2620-2690
	Insertion Loss (dB)	≤ 7.8	
Isolation (dB)	≥ 25 ( between same bands) ≥ 80 (between different bands)		
Ripple dB)	≤ 1.5		
VSWR	≤ 1.3:1		
Impedance	50 Ω		
Input Power (c.w./per port)	≤ 200 Watts		
Intermodulation Products	≤ -155 dBc (3 <sup>rd</sup> order with 2x20W)		
Output Test Port	-30±2 dB (subtract insertion loss)		
Environmental			
Temperature Range	-40 to +55°C (Operating)		
Application	IP65		
Mechanical			
Connectors	Input Ports	DIN 7/16 female (15x)	
	Output Ports	DIN 7/16 female (4x)	
	Test Ports	N female (4x)	
Mounting	19" Rack		
Packing	1 pc/box		

### Schematic diagram



### Product picture

